



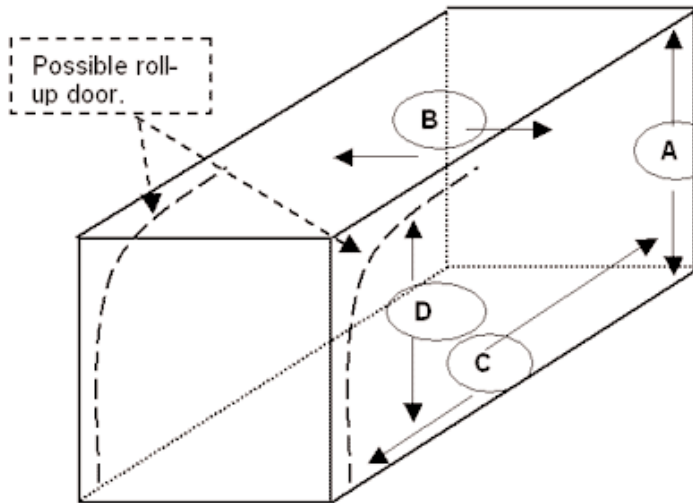
Revolutionizing Storage Capacity

## ORDERING WORKSHEET

Manufacture of Body: \_\_\_\_\_

Model # \_\_\_\_\_

Serial# \_\_\_\_\_



**PLEASE MEASURE INSIDE** (use figure above)

A= Inside Height \_\_\_\_\_

B= Inside Width \_\_\_\_\_

C= Inside Length \_\_\_\_\_

D= Floor to roll up door track (if applicable) \_\_\_\_\_

Special Instructions: \_\_\_\_\_

\_\_\_\_\_  
 \_\_\_\_\_  
 \_\_\_\_\_

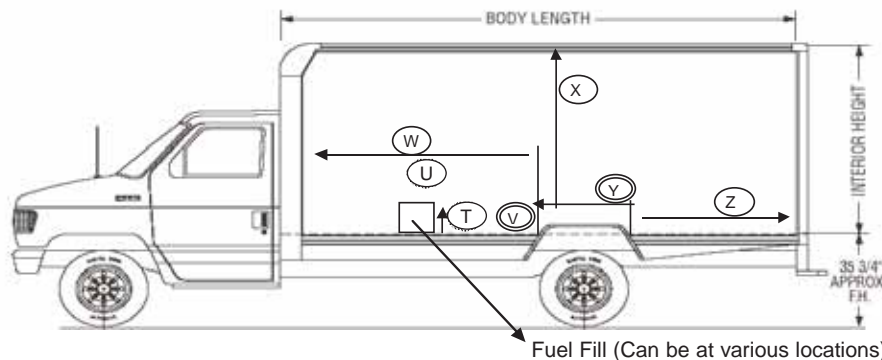
Does your truck have a side door?

Yes  No (If more than one, please call.)

If you have a side door:  Left side  Right side

Tell us how far the door is located from the front.

\_\_\_\_\_



**Inches**

T= Height of Fuel Fill \_\_\_\_\_

U= Width of Fuel Fill \_\_\_\_\_

V= Height of Wheel Well (WW) \_\_\_\_\_

W= WW to Front Wall \_\_\_\_\_

**Inches**

X= Height from WW to Ceiling or Door Track \_\_\_\_\_

Y= Length of WW \_\_\_\_\_

Z = WW to Rear Wall or Door Track \_\_\_\_\_

**CALL 877-SHELF IT to order today!**